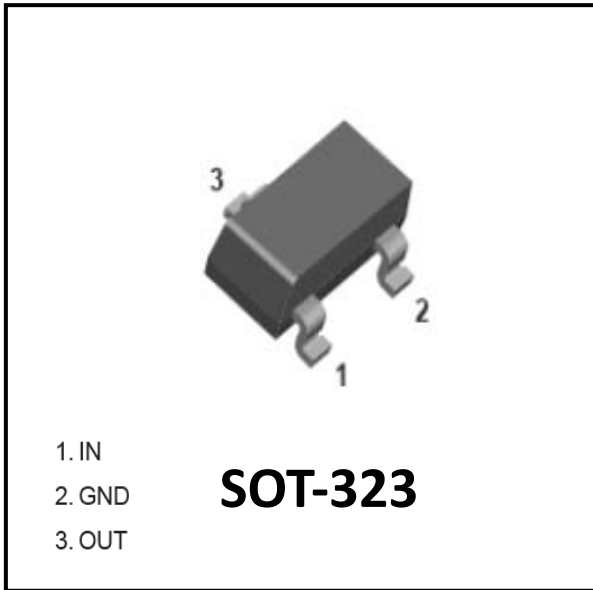


## Digital Transistors (Built-in Resistors)



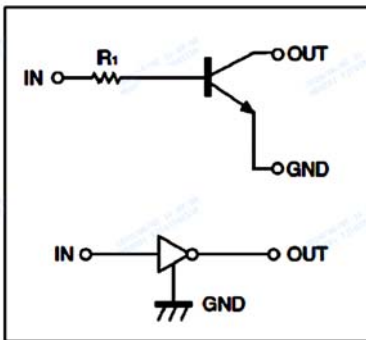
### Features

- Epoxy meets UL-94 V-0 flammability rating
- Moisture Sensitivity Level 1
- Built-in bias resistors enable the configuration of an inverter circuit without connecting external input resistors
- Surface mount package ideally Suited for Automatic Insertion
- NPN

### Mechanical Data

- **Package:** SOT-323
- **Terminals:** Tin plated leads, solderable per J-STD-002 and JESD22-B102
- **Marking:** 04

### ■Equivalent circuit



### ■Maximum Ratings (Ta=25°C Unless otherwise specified)

ITEM	SYMBOL	UNIT	CONDITIONS	VALUE
Collector-Base Voltage	VCBO	V		50
Collector-Emitter Voltage	VCEO	V		50
Emitter-Base Voltage	VEBO	V		5
Collector Current	IC	mA		100
Power Dissipation	PD	mW		200
Junction Temperature	Tj	°C		150
Storage Temperature	TSTG	°C		-55 to +150



# DTC114TUA

## ■ Electrical Characteristics (Ta=25°C unless otherwise specified)

ITEM	SYMBOL	UNIT	CONDITIONS	MIN	TYP	MAX
Collector-Base Breakdown Voltage	VCBO	V	IC=50uA	50		
Collector-Emitter Breakdown Voltage	VCEO	V	IC=1mA	50		
Emitter-Base Breakdown Voltage	VEBO	V	IE=50uA	5		
Collector Cut-off Current	ICBO	uA	VCB=50V			0.5
Emitter Cut-off Current	IEBO	uA	VEB=4V			0.5
DC current gain	hFE		VCE=5V, IC =1mA	100		600
Input resistance	R <sub>i</sub>	kΩ		7	10	13
Collector-Emitter Saturation Voltage	VCE(sat)	V	IC =10mA, IB=1mA			0.3
Transition frequency	fT	MHz	VCE=10V, IE=-5mA, f=100MHz		250	

## ■ Ordering Information (Example)

PREFERRED P/N	PACKING CODE	UNIT WEIGHT(g)	MINIMUM PACKAGE(pcs)	INNER BOX QUANTITY(pcs)	OUTER CARTON QUANTITY(pcs)	DELIVERY MODE
DTC114TUA	F2	Approximate 0.005	3000	30000	120000	7" reel

## ■ Characteristics (Typical)

Fig. 1 - Static Characteristics

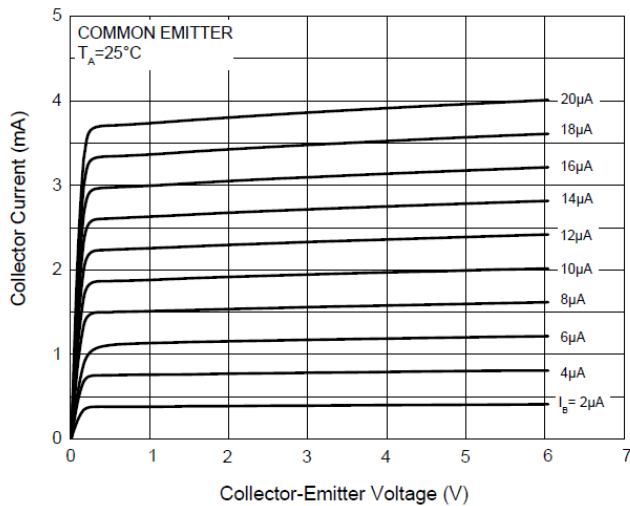
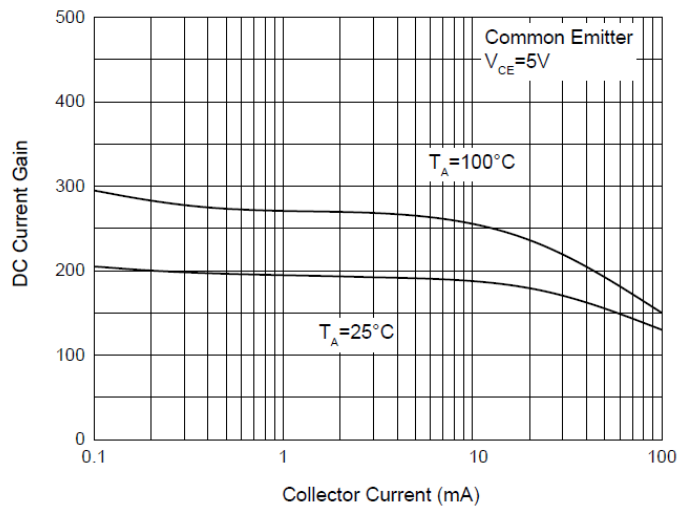


Fig. 2 - DC Current Gain Characteristics





# DTC114TUA

Fig. 3 - Collector-Emitter Saturation Voltage Characteristics

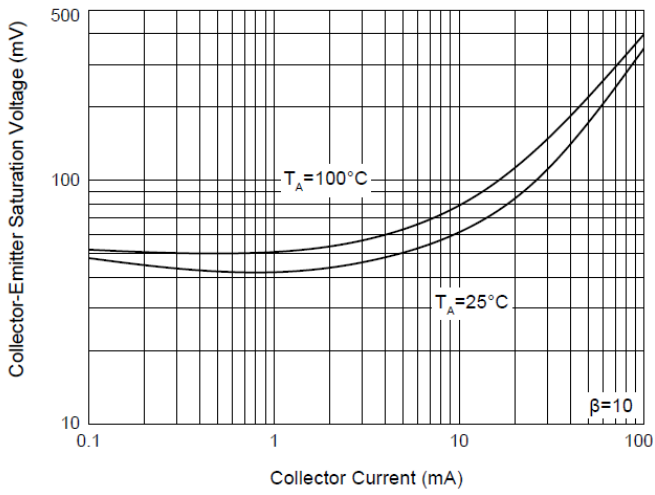


Fig. 4 - Base-Emitter Saturation Voltage Characteristics

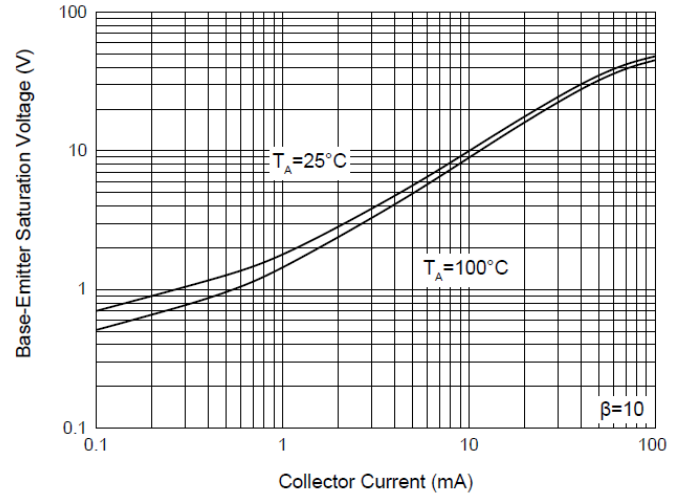
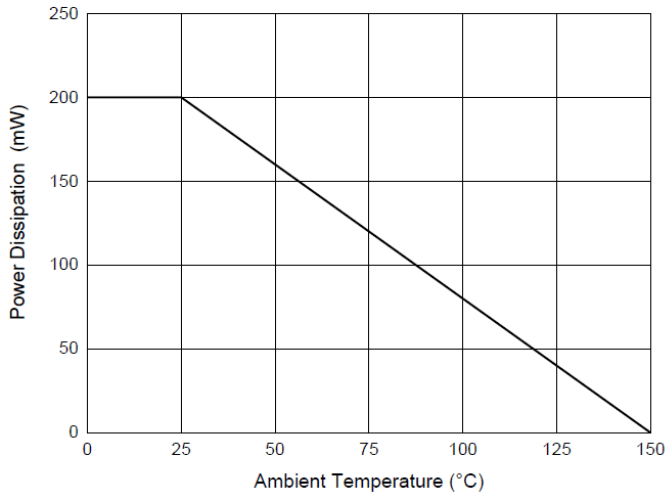


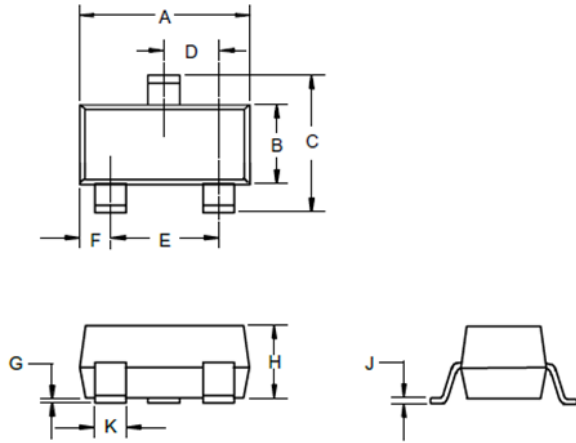
Fig. 5 - Power Derating Curve





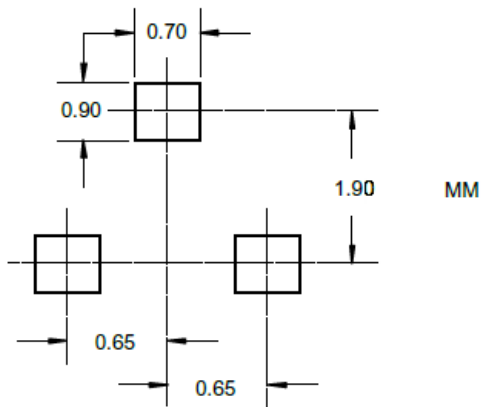
# DTC114TUA

## ■SOT-323 Package Outline Dimensions



DIM	INCHES		MM		NOTE
	MIN	MAX	MIN	MAX	
A	0.071	0.087	1.80	2.20	
B	0.045	0.053	1.15	1.35	
C	0.083	0.096	2.10	2.45	
D	0.026Nominal		0.65Nominal		
E	0.047	0.055	1.20	1.40	
F	0.012	0.016	0.30	0.40	
G	0.000	0.004	0.00	0.10	
H	0.035	0.039	0.90	1.00	
J	0.004	0.010	0.10	0.250	
K	0.006	0.016	0.15	0.40	

## ■SOT-323 Soldering Footprint





## Disclaimer

The information presented in this document is for reference only. Yangzhou Yangjie Electronic Technology Co., Ltd. reserves the right to make changes without notice for the specification of the products displayed herein to improve reliability, function or design or otherwise.

The product listed herein is designed to be used with ordinary electronic equipment or devices, and not designed to be used with equipment or devices which require high level of reliability and the malfunction of which would directly endanger human life (such as medical instruments, transportation equipment, aerospace machinery, nuclear-reactor controllers, fuel controllers and other safety devices), Yangjie or anyone on its behalf, assumes no responsibility or liability for any damages resulting from such improper use of sale.

This publication supersedes & replaces all information previously supplied. For additional information, please visit our website [http:// www.21yangjie.com](http://www.21yangjie.com) , or consult your nearest Yangjie's sales office for further assistance.