

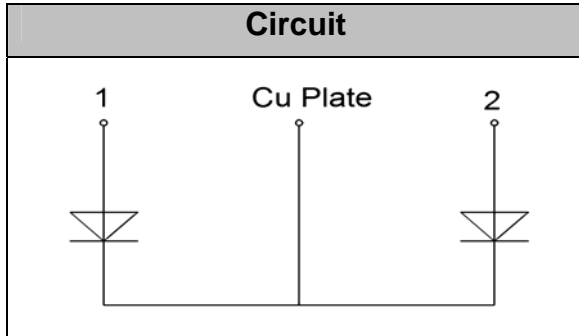
## FRED Modules



**V<sub>RRM</sub>** 400V  
**I<sub>FAV</sub>** 300 A

### Applications

- Inversion Welder
- Uninterruptible Power Supply (UPS)
- Plating Power Supply
- Ultrasonic Cleaner and Welder
- Power Factor Correction (PFC) Circuit
- Converter & Chopper



### Features

- Soft Reverse Recovery Characteristics
- Ultrafast Reverse Recovery Time
- Low Reverse Recovery Loss
- Low Forward Voltage
- High Surge Current Capability
- Low Inductance Package

### Maximum Ratings

Symbol	Conditions	Values	Units
V <sub>R</sub>		400	V
V <sub>RRM</sub>		400	V
I <sub>F(AV)</sub>	T <sub>C</sub> =125°C, Per Diode	150	A
	T <sub>C</sub> =125°C, Per Module	300	A
I <sub>F(RMS)</sub>	T <sub>C</sub> =125°C, Per Diode	210	A
I <sub>FSM</sub>	1/2 Cycle, 50Hz, Sine	4000	A
	1/2 Cycle, 60Hz, Sine	4390	A
I <sup>2</sup> t	T <sub>J</sub> =45°C, t=10ms, 50Hz, Sine	80000	A <sup>2</sup> s
P <sub>D</sub>		1200	W
T <sub>J</sub>		-40 to +150	°C
T <sub>STG</sub>		-40 to +125	°C
Torque	Recommended (M6)	3~4.7	N·m
Torque	Recommended (M6)	3~4.7	N·m
Weight		90	g

### Thermal Characteristics

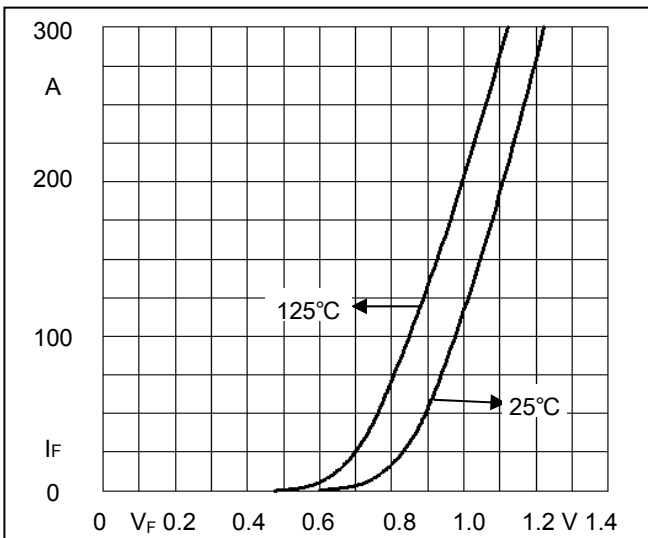
Symbol	Conditions	Values	Units
R <sub>th(j-c)</sub>	Per Module	0.065	°C/W



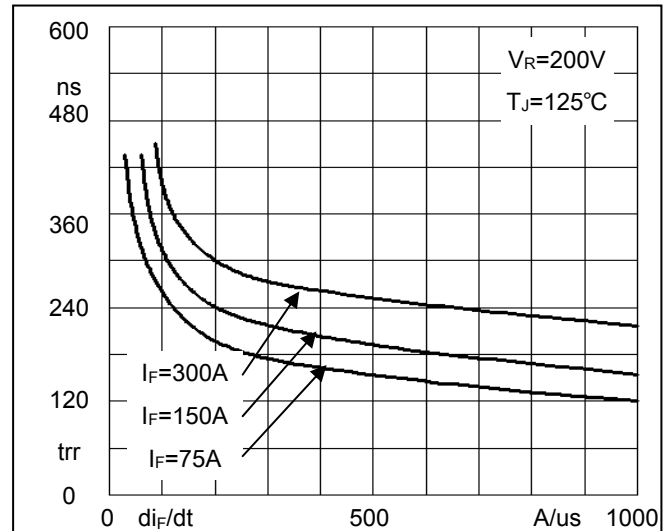
## Electrical Characteristics

Symbol	Conditions	Values			Units
		Min.	Typ.	Max.	
$I_{RM}$	$V_R=400V$	--	--	0.5	mA
	$V_R=400V, T_J=125^\circ C$	--	--	2	mA
$V_F$	$I_F=150A$	--	0.95	1.05	V
	$I_F=150A, T_J=125^\circ C$	--	0.90	0.95	V
$t_{rr}$	$I_F=1A, V_R=30V, di_F/dt=-200A/\mu s$	--	70	--	ns
$t_{rr}$	$V_R=200V, I_F=150A, di_F/dt=-200A/\mu s, T_J=25^\circ C$	--	120	--	ns
$I_{RRM}$		--	11	--	A
$t_{rr}$	$V_R=200V, I_F=150A, di_F/dt=-200A/\mu s, T_J=125^\circ C$	--	240	--	ns
$I_{RRM}$		--	24	--	A

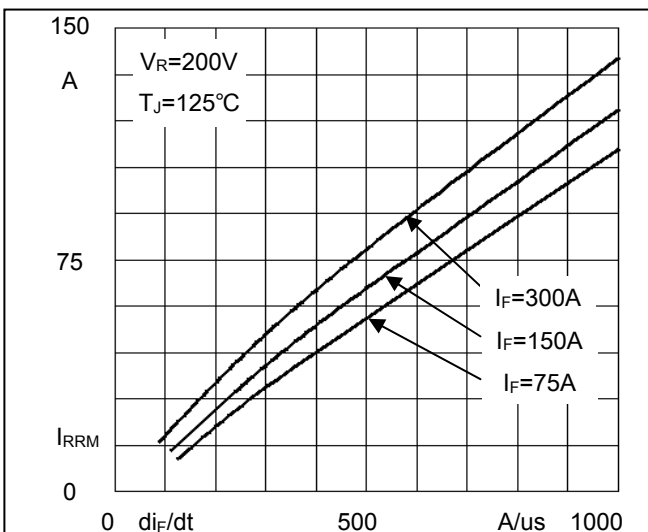
## Performance Curves



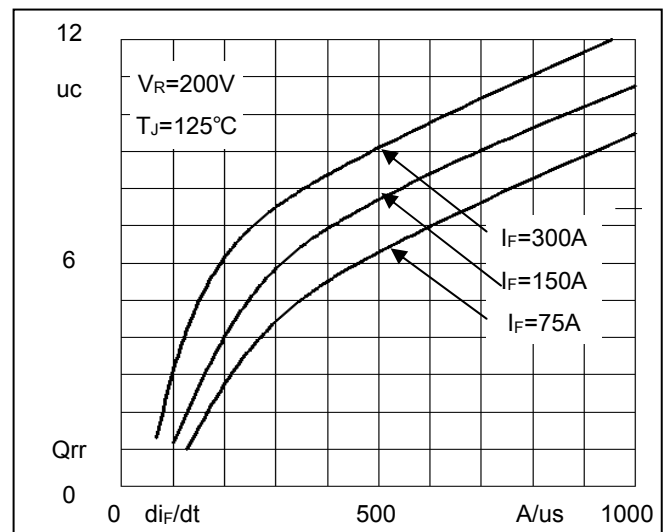
**Fig1. Forward Voltage Drop vs Forward Current**



**Fig2. Reverse Recovery Time vs  $di_F/dt$**



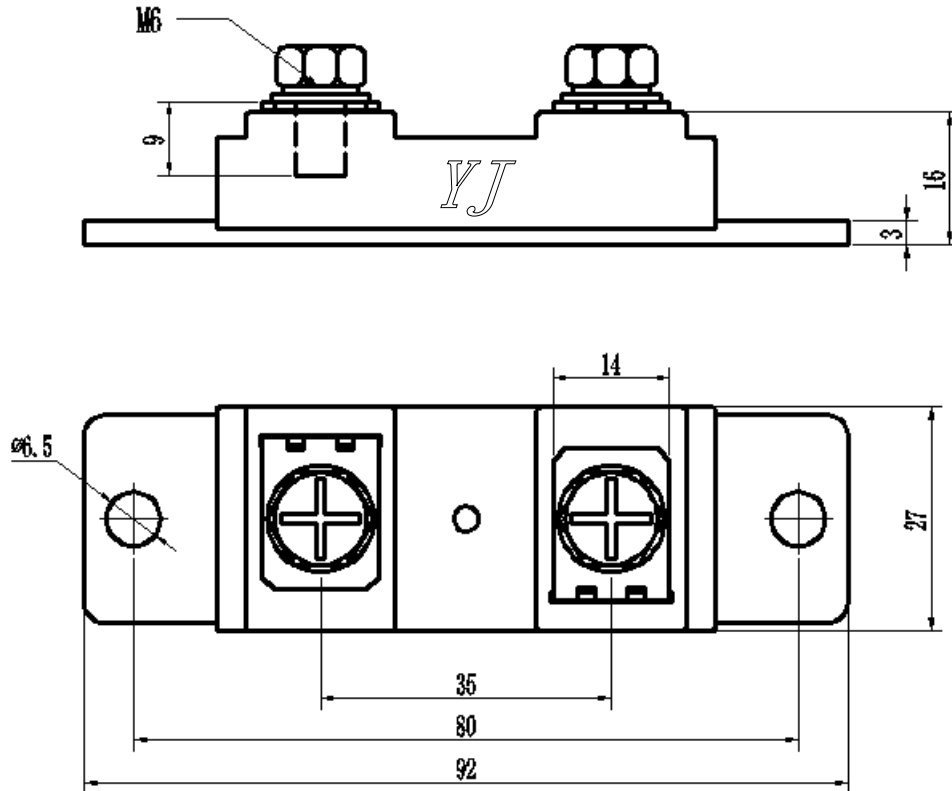
**Fig3. Reverse Recovery Current vs  $di_F/dt$**



**Fig4. Reverse Recovery Charge vs  $di_F/dt$**

## Package Outline Information

CASE: F3



Dimensions in mm